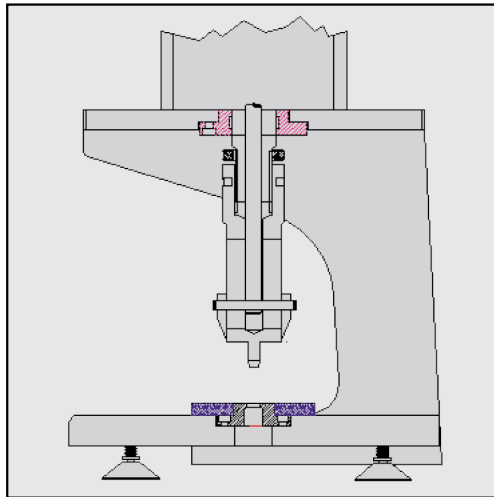




Volumetric Sample Cutter (Mooney Viscometer)

To optimise the performance of your Mooney Viscometer it is important to use a consistent sample volume and this can be easily achieved by the use of a volumetric sample cutter.



The sample cutter has two separate actions, when the buttons are both depressed:

- 1 The material is compressed to the correct thickness.
- 2 Then the cutting blade comes down to leave a sample of the correct volume and shape.

The built in adjustable time delay allows the user to set the right time to compress the material correctly before that cutting action takes place.

An additional benefit of this type of cutter is that the sample has a hole punched in the middle ready to accept the rotor.



SPECIFICATIONS

Size	300mmW*300mmD*800mmH
Weight	45Kg
Supply	Filtered Air 5 to 8.5 Bar (75 to 125 PSI)
Sample Volume	13.5 cm ³ (Nominal)
Sample Diameter	4.5 cm
Sample Thickness	0.9 cm
Design specification in accordance with BS EN292: Part 2	

Notice:

Although the information and recommendations set forth herein (hereinafter "Information") are presented in good faith and believed to be correct as of the date hereof. Prescott Instruments Ltd. make no representation or warranties as to the completeness or accuracy thereof. Information is supplied upon the conditions that the persons receiving same will make their own determination as to the suitability for their purposes prior to use. In no event will Prescott Instruments Ltd. be responsible for damages of any nature whatsoever resulting from the use or reliance upon information for the product, equipment or system to which information refers. Nothing contained herein is to be construed as recommendation to use any product, equipment, system, process or formulation in conflict with any patent, and Prescott Instruments Ltd. makes no representation or warranty, express or implied, that the use thereof will not infringe any patent, except for the limited warranty set forth in Prescott Instruments Ltd. standard sales contracts for its equipment and services.

PRESCOTT INSTRUMENTS LTD. MAKES NO REPRESENTATIONS OR WARRANTIES WHETHER STATUTORY, EXPRESS OR IMPLIED, OF MERCHANT ABILITY FITNESS FOR A PARTICULAR PURPOSE, OR OF ANY OTHER NATURE WITH RESPECT TO THE INFORMATION OR PRODUCT, EQUIPMENT OR SYSTEM TO WHICH INFORMATION REFERS.



**PRESCOTT
INSTRUMENTS LTD**

Prescott Instruments Ltd. Unit F, Northway Trading Estate,
Northway Lane, Tewkesbury, Gloucester GL20 8JH U.K.

Tel: +44 (0) 1684 274300 Fax: +44 (0) 1684 293223

Email: enquiries@prescott-instruments.com

Website: www.prescott-instruments.com

